

Crestron CLS-C6RF Series

iLux™

iLux™ Integrated Lighting System w/infiNET™



- > Wall mount integrated lighting and shade control
- > 6 channels of dimming or switching
- > 6 groups of shade and drape control
- > Linkable for up to 54 lighting channels and 54 shade groups
- > Up to 15 user-settable scenes | Large ON and OFF buttons
- > 7 configurable "rocker" buttons with customizable label strip
- > Flip-up front cover reveals setup controls and programming port
- > 6 bargraphs show lighting levels and shade positions
- > Easy setup from front panel or iLux Designer software
- > Built-in motion detector (CLS-C6M) | Optional IR remote
- > Supports multipoint control using up to 16 keypads
- > Master air-gap relay | 230V AC version available
- > Integrates with 2-Series control systems via infiNET
- > Energy saving ASHRAE 90.1/LEEDS compliant
- > Available in almond, black, or white

The iLux CLS-C6RF is a complete, integrated lighting system designed for wall mount installation in boardrooms, auditoriums, home theaters, or anywhere versatile and cost-effective control of lighting and shades is required. Crestron's reputation for innovation and reliability, combined with high-quality integrated dimming, native shade control, and extensive customization and integration ability make iLux the ideal choice for all types of room lighting control applications.

6 Channel Dimming—The CLS-C6RF features six channels of dimming for incandescent, magnetic low-voltage, neon/cold cathode, and 2-wire dimmable fluorescent loads. On/off switching of many non-dimmable lighting loads is also possible. Each channel will handle up to 800 watts individually, with a total rating of 1920 watts for the complete unit. Larger loads and additional load types can also be supported using Crestron CLS-EXP Series expansion modules*.

6 Group Shade Control—Using Crestron's networked Shade and Drape Controllers*, the CLS-C6RF enables versatile control of a roomful of motorized window treatments, screens and lifts in up to 6 shade groups.

Versatile Front Panel Controls—The deceptively clean front panel actually affords an extensive amount of control and customization to suit each unique room application. Large ON and OFF buttons provide instant access to the "On" and "All Off" scenes, while the six main buttons can be set up to recall additional scene presets, adjust shades, or perform a host of other functions. The buttons' "rocker" action enables intuitive, tactile control for adjusting lighting levels and shade positions. An additional "Up/Down" button is configurable for a variety of functions, including use as a master lighting or shade control, or as a "shift" button to expand the capabilities of the six main buttons.

With each new scene selection, window shades reposition and lights fade elegantly to their new settings. The selected scene is indicated by a white LED beside each button, and the customizable label strip allows each button to be clearly labeled using Crestron Engraver software or standard 3/8" tape labels. Dimming levels and shade positions are displayed graphically on 6 green LED bargraphs accessible behind the flip-up front cover. Additional controls and a numeric display hidden beneath the cover enable setup without requiring a PC. Enhanced customization is provided via the PC programming port using iLux Designer software.

Built-in Motion Detector—The CLS-C6MRF model adds a built-in infrared motion detector, enabling automated control based on room occupancy. Lights can be programmed to turn on and shades open automatically when someone enters the room, or turn off and close when the room is left empty.

Multipoint Keypad Control—Up to 16 Crestron keypads* may be connected to a single CLS-C6RF, providing versatile multipoint control for rooms with multiple entrances or work areas.

Multi-Unit Expansion—The CLS-C6RF can be expanded using up to 8 Cresnet-based CLS-C6 units, enabling systems of up to 54 lighting zones and 54 shade groups. Commands for typical functions like scene recall, scene off, master dimming, and occupancy status are shared between the CLS-C6RF and CLS-C6 units. Each individual unit can still support a complete assortment of local devices including keypads and shade controllers.

Control System Integration via infiNET™—Built-in infiNET wireless technology allows a connection to a 2-Series control system without the need to install a control wire. A single C2N-MNETGW gateway* connected to the control system enables 2-way wireless communication between the iLux system and the central control system, allowing its functions to be controlled from touchpanels, RF wireless remotes, and even computers. It also enables extensive flexibility for integration with other systems such as security, HVAC and energy management, plus remote monitoring via SNMP and Crestron RoomView® applications.

AVAILABLE MODELS

CLS-C6RF (W, B, or A) iLux Integrated Lighting System w/infiNET

CLS-C6MRF (W, B, or A) iLux Lighting System w/infiNET & Motion Detector

SPECIFICATIONS

Load Ratings

Maximum Per Channel: 800 Watts/VA (6.7 Amps @ 120 Volts AC)

Minimum Per Channel: 15 Watts/VA (0.125 Amps @ 120 Volts AC)

Module Total: 1920 Watts/VA (16 Amps @ 120 Volts AC)

Load Types: Incandescent, Magnetic Low-voltage, Neon/Cold Cathode, Dimmable 2-Wire Fluorescent, & Non-Dim Lighting (also: Electronic Low-voltage, 3 and 4-wire Fluorescent, & 277V via CLS-EXP Series expansion modules*)

Power Requirements

100 to 127 Volts AC, 50/60Hz Line Power

Connections

LOCAL DEVICES: (1) 4-pin 5mm detachable terminal block

Cresnet Master port for local devices including:

- C2N-CB, C2N-DB, and CNX-B Series keypads, 16 maximum
- C2N-SSC-2, C2N-SDC, and C2N-SDC-DC shade controllers; 16 maximum
- Additional CLS-C6 units, 8 maximum

Crestron CLS-C6RF Series ilux™ Integrated Lighting System w/infiNET™

Note: Additional CNPWS-75 or other Cresnet power supply required beyond 4 devices; C2N-SDC-DC always requires an additional power supply

HOT: (1) Captive screw terminal, line input from 15A or 20A feed

LOAD1 – LOAD6: (6) Captive screw terminals, dimmer channel outputs 1 – 6

NEUTRAL: (1) Captive screw terminal

GROUND: (1) Captive screw terminal

PC (front): (1) 3.5mm TRS mini-phone jack, RS-232 Programming port

Controls

Buttons 1 – 6: (6) 3-position rocker pushbuttons; configurable to recall (or toggle recall/off) individual scenes, control shades, or for master lighting or shade control; “scene mastering” option enables manual dimming utilizing rocker button action; also used to adjust lighting levels when in “Lighting” mode and shade positions when in “Shades” mode; additional functionality configurable via software

Up/Down Button: (1) 3-position rocker pushbutton; configurable for master lighting or shade control, or as a “shift” for Buttons 1-6; other functionality configurable via software

ON: (1) pushbutton, recalls “On” scene

OFF: (1) pushbutton, turns all lights off

LIGHTS, SHADES: (2) Pushbuttons, select “Lights” or “Shades” modes

SAVE, CANCEL, Λ, V: (4) Pushbuttons, navigate and execute setup functions

Reset: Recessed miniature pushbutton for hardware reset

LED Indicators

Scenes: (6-white) Correspond with each “Scene” Button

High/Low: (2-white) Indicate “Shift” status

ON: (1-white) Indicates “On” Scene is selected

LIGHTS, SHADES: (2-green) Indicates “Lights” or “Shades” mode is active

SAVE, CANCEL: (2-green) Correspond with “Save” and “Cancel” Buttons

MIN, SEC: (2-green) Indicates display of “Minutes” or “Seconds”

1 – 6: (6-green) 7-Segment bargraphs, indicate lighting levels and shade positions

Numeric Display: (2-green) 8-Segment digits, indicates modes and setup values

IR Receiver

Reception Frequency: 36 kHz, requires CLS-IRHT8 IR remote (sold separately)

Motion Detector (CLS-C6MRF Only)

Type: Infrared

Range: 20 to 30 feet at 4 foot elevation

Wireless

RF Transceiver: 2-way RF, 2.4 GHz ISM Channels 11-26 (2400 to 2483.6 MHz), IEEE 802.15.4 compliant

RF Output Power: 10 mW

Range (typical): 150 feet indoor, 250 feet outdoor; subject to site-specific conditions C2N-MNETGW gateway required

Environmental

Temperature: 32° to 104°F (0° to 40°C)

Humidity: 10% to 90% RH (non-condensing)

Enclosure

Mounts in a 4-gang electrical box, 3-1/2" deep minimum

Dimensions

Height: 4.48 in (11.38 cm)

Width: 8.89 in (22.58 cm)

Depth: 2.47 in (6.25 cm) for CLS-C6RF, 2.60 in (6.61 cm) for CLS-C6MRF

Weight

1.43 lbs (0.65 kg)

* Sold separately

AVAILABLE ACCESSORIES

C2N-DB

Decorator Series Keypad

CNX-B

Designer Series Keypad

C2N-SSC-2

Somfy® Shade Controller

C2N-SDC

Shade and Drapery Controller (120V AC)

C2N-SDC-DC

Shade and Drapery Controller (24V DC)

CLS-IRHT8

IR Handheld Remote

CLS-EXP Series

Lighting Expansion Modules

CLS-C6 or CLS-C6M Series

iLux Integrated Lighting System w/Cresnet

CNPWS-75

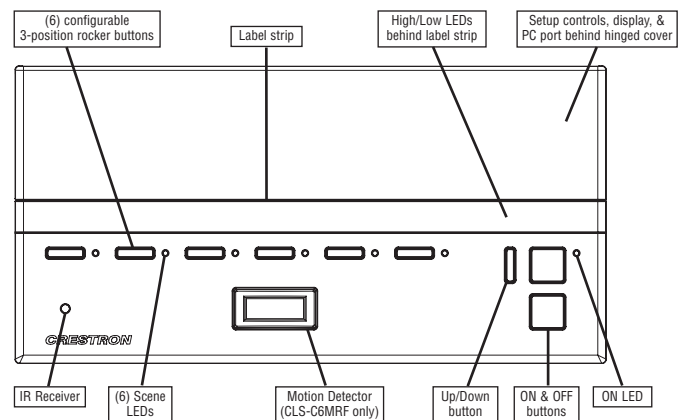
Cresnet Power Supply

C2N-MNETGW

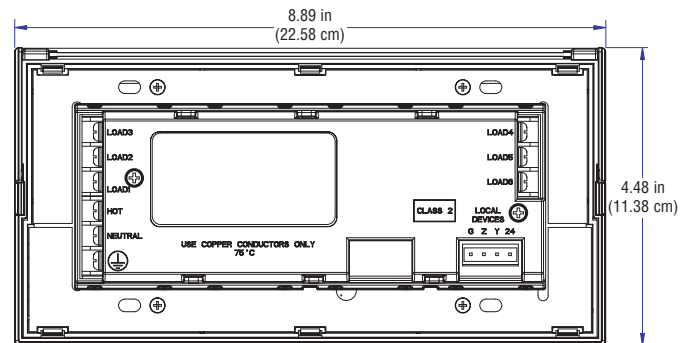
infiNET Gateway

C2N-MNETRPT

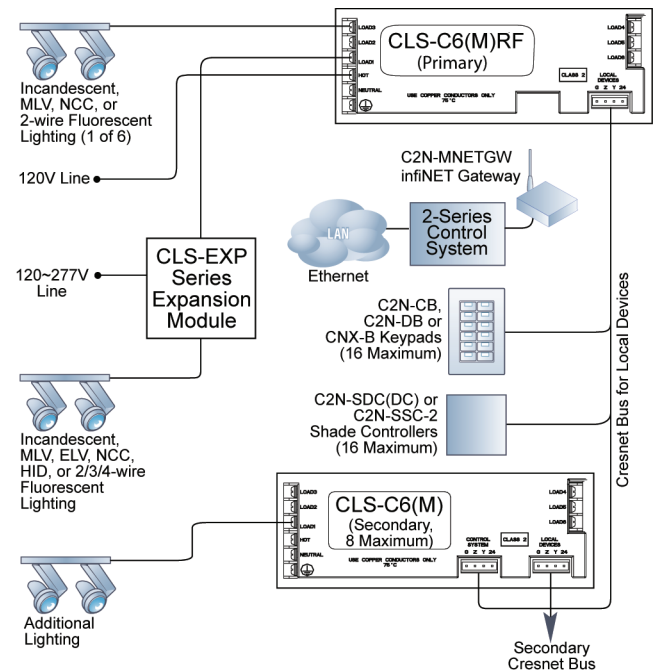
infiNET Repeater



Front View



Rear View



Typical Connections